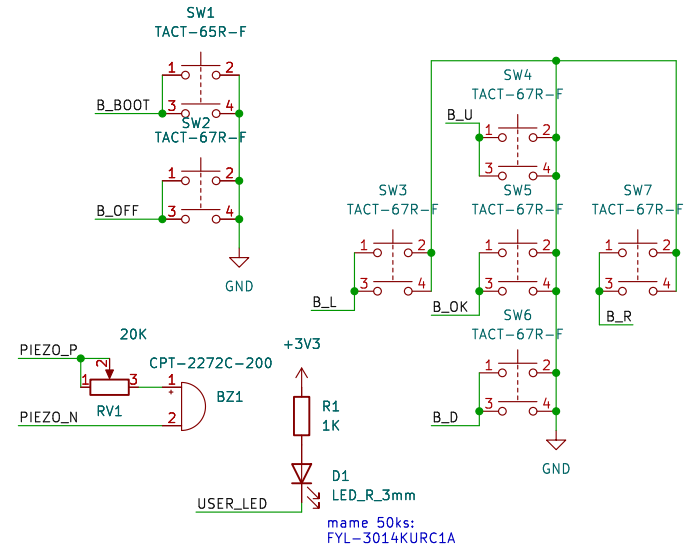
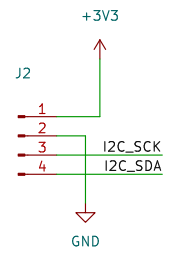
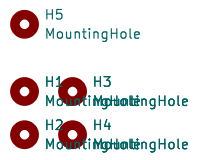


GME12864-81 1,3" blue OLED I2C



Sheet: /		File: LEGOtlacitka.kicad_sch	
Title:			
Size: A4	Date:	Rev:	
KiCad E.D.A. kicad 7.0.6		Id: 1/1	